

Trailer-Mounted Z-Booms

TZ™ -34/20

Specifications

Model	TZ-34/20	
Measurements	US	Metric
Working height*	40 ft	12.19 m
Platform height	34 ft	10.36 m
Entry height - extended	6.4 in	.16 m
Horizontal reach	18 ft 4 in	5.59 m
Clear out reach	13 ft 5 in	4.09 m
Up and over clearance	16 ft 1 in	4.90 m
A Platform length	2 ft 2.8 in	.68 m
B Platform width	3 ft 8 in	1.12 m
C Height - stowed	6 ft 4.5 in	1.94 m
D Length - stowed	18 ft .5 in	5.50 m
E Width - stowed	4 ft 9.1 in	1.45 m
F Ground clearance	9.5 in	.24 m
G Length - outrigger footprint	10 ft 8.4 in	3.26 m
H Width - outrigger footprint	11 ft 9.4 in	3.59 m

Productivity

Lift capacity (ANSI, CSA) - standard	500 lbs	227 kg
Lift capacity (ANSI, CSA) - rotating platform	460 lbs	209 kg
Lift capacity (CE/AUS) - standard	440 lbs	200 kg
Lift capacity (CE/AUS) - rotating platform	400 lbs	181 kg
Self leveling platform	standard	
Platform rotation option	90° mechanical	
AC power to platform	standard	
Turntable rotation	359° non-continuous	
Outrigger leveling capability	11°	
Towing speed rate	60 mph	97 km/h
Tongue weight - ANSI, CSA	315 lbs	143 kg
Tongue weight - CE	163 lbs	74 kg
Surge and parking brakes	standard	
Controls	variable speed system	
Tire size - ANSI, CSA	ST 205/75 R15	
Tire size - CE	185R-14C	
Coupler	combination hitch	

Power

Power source	24V DC (four 6V 225Ah batteries)	
Hydraulic tank capacity	2.65 gal	10 L
Hydraulic system capacity	4.5 gal	17 L

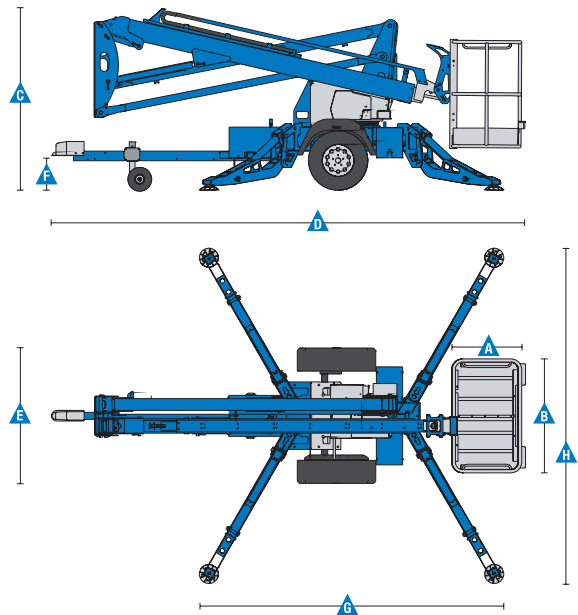
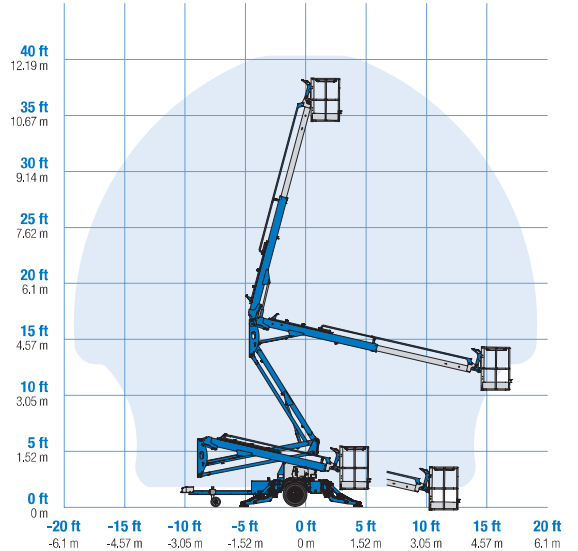
Weight**

ANSI, CSA, Australia	3,155 lbs	1,431 kg
CE	3,170 lbs	1,438 kg

Standards Compliance ANSI A92.2, CSA C225, EN 280, AS 1418.10

* The metric equivalent of working height adds 2 m to platform height. U.S. adds 6 ft to platform height.
** Weight will vary depending on options and/or country standards.

Range Of Motion TZ-34/20



Trailer-Mounted Z-Booms

TZ™ -34/20

Features

Standard Features

Measurements

- 40 ft (12.36 m) working height
- 18 ft 4 in (5.59 m) horizontal reach
- Up to 500 lbs (227 kg) lift capacity

Productivity

- Industry leading working envelope
- Extension boom
- Self-leveling platform
- Variable speed control system
- AC wiring to platform
- Hydraulic outriggers
- Automatic 11° leveling system
- Outrigger interlocks
- Mechanical parking brake
- Hydraulic surge brakes
- 2 in (5.08 cm) coupler lever lock
- Hitch pull bar
- Adjustable hitch with coupler lever lock
- Single jockey wheels
- 359° non-continuous turntable rotation
- Easy to access batteries
- Hour meter
- Tilt alarm / sensor
- Forklift pockets
- Illuminated outrigger indicators
- Highway safety chains with snap hook
- LED brake lights (ANSI, CSA)

Power

- 24V DC power source (four 6V 225 Ah batteries)

Configurations

Platform Options

- Aluminum 26.8 x 44 in (.68 x 1.12 m)
- 90° mechanical platform rotation

Power

- 24V DC power source

Coupler Options

- Adjustable hitch
 - 2 in (5.08 cm) ball coupler
 - 2 5/16 in (5.87 cm) ball coupler
 - 2 1/2 in (6.53 cm) I.D. pintle ring coupler
 - Clevis coupler

Tire Options

- ST 205/75 R15 tires (ANSI, CSA)
- 185 R14C tires (CE)
- Dual 10 in (25.4 cm) air filled tires

Options & Accessories

Productivity

- 90° mechanical platform rotation
- Wheel chocks
- Fluorescent tube caddy
- Full size spare tire
- Flashing beacon
- Non-marking outrigger footpads
- Battery charge indicator (BCI)
- Tool tray
- Horn



Genie United States

6464 185th Ave, NE
Redmond, WA 98052
Telephone +1 (425) 881-1800
Toll Free in USA/Canada +1 (800)-536-1800
Fax +1 (425) 883-3475

Distributed By:



Equipinc AWP Sdn Bhd (1077085-A)

31, Jalan Serendah 26/39, i-Parc 2, Seksyen 26,
40400 Shah Alam, Selangor.
T +(603) 503 0939/ 5103 2685
F +(603) 5103 2839
H/P +(6012) 377 3571 (Zun), +(6012) 639 2731 (Tan)
E awpsales@equip-inc.com

Effective Date: January, 2017. Product specifications and prices are subject to change without notice or obligation. The photographs and/or drawings in this document are for illustrative purposes only. Refer to the appropriate Operator's Manual for instructions on the proper use of this equipment. Failure to follow the appropriate Operator's Manual when using our equipment or to otherwise act irresponsibly may result in serious injury or death. The only warranty applicable to our equipment is the standard written warranty applicable to the particular product and sale and we make no other warranty, express or implied. Products and services listed may be trademarks, service marks or trade names of Terex Corporation and/or their subsidiaries in the USA and many other countries. Terex, Genie and AWP are registered trademarks of Terex Corporation or its subsidiaries. © 2017 Terex Corporation.